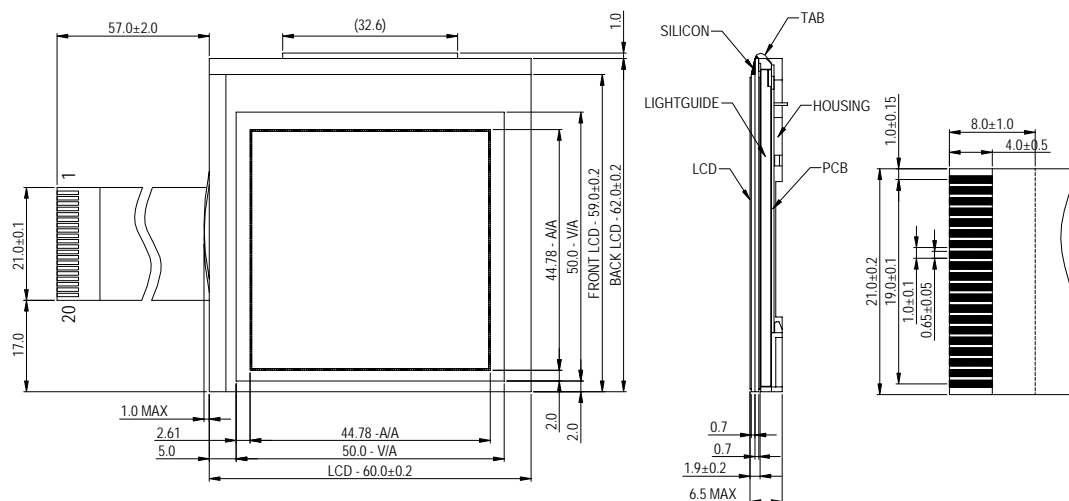
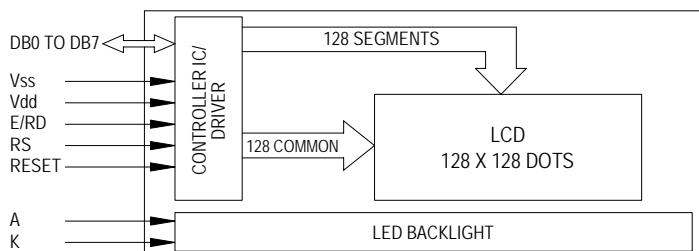


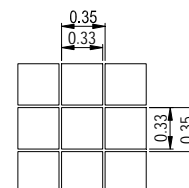
OUTLINE DIMENSION



BLOCK DIAGRAM



DISPLAY PATTERN



MECHANICAL SPECIFICATION

Item	Dimensions(W)X(H)	Unit
Overall Size	60.0x62.0	MM
View Area	50.0x50.0	MM
Dot Size	0.33x0.33	MM
Dot Pitch	0.35x0.35	MM

PIN ASSIGNMENT

Pin no	Symbol	Description
1,2	DB0,DB1	Data bus line
3	VSS	Ground terminal
4,5	DB2,DB3	Data bus line
6	VSS	Ground terminal
7,8	DB4,DB5	Data bus line
9	VSS	Ground terminal
10,11	DB6,DB7	Data bus line
12	VSS	Ground terminal
13	E/RD	Enable/read signal
14	RS	Register select signal
15	RESET	Reset signal
16	VDD	Supply signal
17,18	BL+	Backlight power supply
19,20	BL-	Backlight ground

ABSOLUTE MAXIMUM RATING

Item	Symbol	Condition	Min	Max	Unit
Supply for logic voltage	V _{DD}	25°C	-0.3	7.0	V
LCD driving supply voltage	V _{LCD}	25°C	---	---	V
Input voltage	V _I	25°C	-0.3	V _{DD} +0.3	V

ELECTRICAL CHARACTERISTICS

Item	Symbol	Condition	Min	Typical	Max	Unit
Supply voltage for logic	V _{DD}	25°C	2.75	---	5.5	V
Supply current for logic	I _{DD}	25°C	---	0.5	1.0	mA
Operating for LCD	V _{LCD}	V _{DD} -V ₀	12.6	13.2	13.8	V
Input voltage "H" level	V _{IH}	---	0.7V _{DD}	---	V _{DD}	V
Input voltage "L" level	V _{IL}	---	V _{SS}	---	0.3V _{DD}	V
Supply voltage for backlight	V _{BL}	---	According to backlight type			V
Supply current for backlight	I _{BL}	---	According to backlight type			mA

REMARKS:

- LCD options: STN, FSTN.
- Back light type: LED Back light feature.