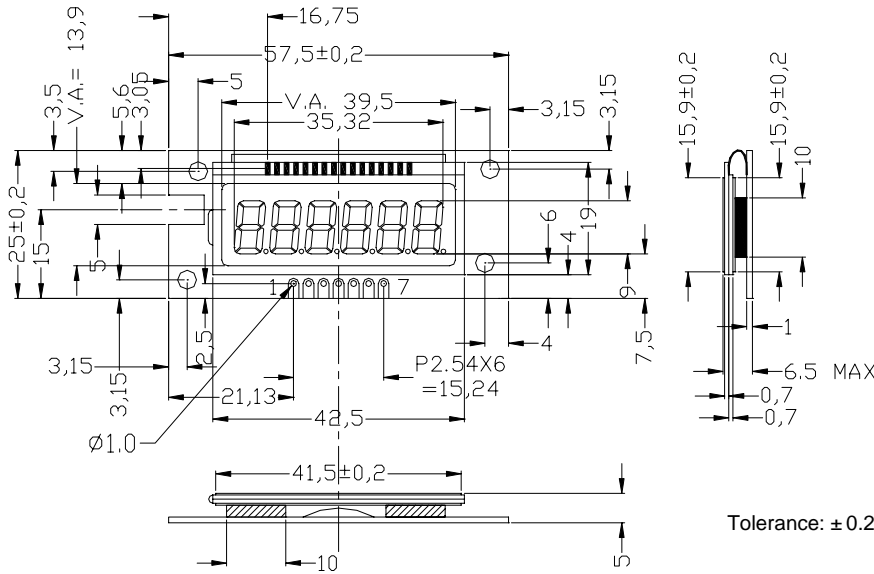
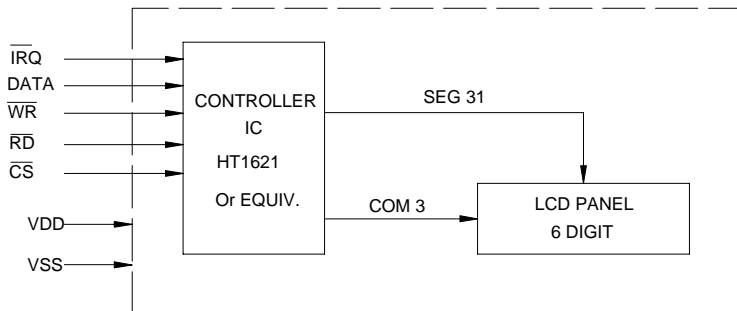


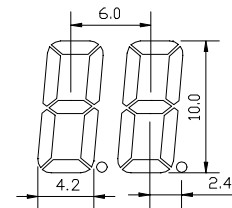
## OUTLINE DIMENSION



## BLOCK DIAGRAM



## DISPLAY PATTERN



## MECHANICAL SPECIFICATION

Item	Dimensions(W)X(H)	Unit
Overall Size	57.5x25.0	MM
View Area	39.5x13.9	MM
Icon Size	4.2x10.0	MM
Icon Pitch	6.0x10.0	MM

## PIN ASSIGNMENT

Pin no	Symbol	Function
1	CS	Chip selection input with pull-high resistor
2	RD	READ clock input with pull-high resistor
3	WR	WRITE clock input with pull-high resistor
4	DATA	Serial data input/output with pull-high resistor
5	VSS	Negative power supply, ground
6	VDD	Positive power supply
7	IRQ	Time base or watchdog timer overflow flay, NMOS open drain output

## ABSOLUTE MAXIMUM RATING

Item	Symbol	Condition	Min	Max	Unit
Supply for logic voltage	V <sub>DD</sub>	---	-0.3	5.5	V
Input voltage	V <sub>I</sub>	---	-0.3	V <sub>DD</sub> +0.3	V

## ELECTRICAL CHARACTERISTICS

Item	Symbol	Condition	Min	Typical	Max	Unit
Supply voltage for logic	V <sub>DD</sub>	---	4.2	4.5	5.0	V
Supply current for logic	I <sub>DD</sub>	V <sub>DD</sub> =4.5	---	200	400	μA
Input voltage "H" level	V <sub>IH</sub>	V <sub>DD</sub> =4.5	4.0	---	5.0	V
Input voltage "L" level	V <sub>IL</sub>	V <sub>DD</sub> =4.5	0	---	1.0	V

### REMARKS:

- LCD type: TN.
- Back light type: Without back light.